

LN MODULATORS

40GHz/s Pulse Carver LN Modulator (Zero-Chirp Model)

Specifications

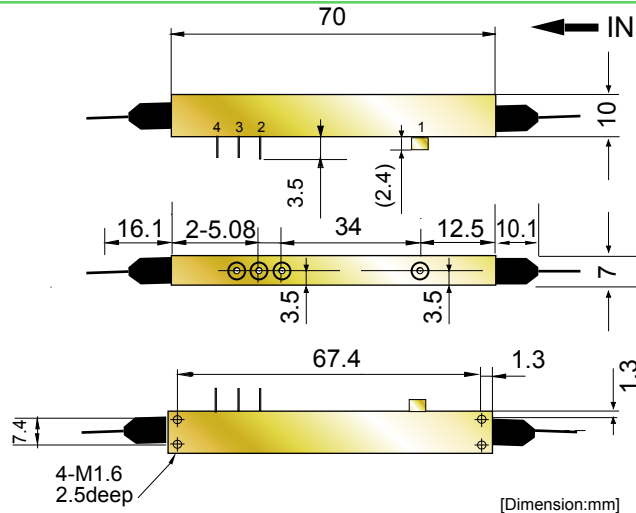
Model		T·MXH1.5-40PD-ADC-LV-Y-Z
Operating wavelength		1.55μm
Insertion loss		≤6.0dB
ON/OFF extinction ratio @DC		≥20dB
Driving voltage @DC 1KHz		≤3.0 V
Driving voltage (Vπ) at 20GHz		≤4.0Vpp
Polarization extinction ratio *1		≥20dB
Optical return loss		≥30dB
Maximum input power *2		≤50mW
α Parameter (Typ.)		-0.1~0.1
Electrical connector		GPPO connector
Optical fiber	Input	0.9mmΦPMF
	Output	0.9mmΦ SMF or PMF
Fiber lead length		≥0.7m (for both ports)
Operating temperature		0°C~70°C
Polarizer		Included

PD characteristics	
Monitor PD sensitivity	0.01~0.40mA/mW
Monitor PD extinction ratio	≥8dB

*1: This specification is only available for PMF output.

*2: Input polarization must be aligned to the slow axis of polarization maintaining fiber before the maximum input power is inserted.

Package size(Hermetically-sealed)



[PIN No.]
 1:RF GPPO Connector
 2:DC PIN
 3:PD Anode PIN
 4:PD Cathode PIN

[Dimension:mm]

Ordering Information

T·MXH1.5-40PD-ADC-LV - Y - Z

Y: Output Optical fiber ^{*1}	
0.9mmΦ PMF	P
0.9mmΦ SMF	S
Other	O

Z: Connector ^{*1,2}	
FC/SPC (without key ring)	FN
FC/SPC (with key ring)	FK
SC/SPC	SC
FC/APC(Angled PC)	FA
Other	O

*1: When Other 'O' is selected in the above ordering code, please specify your requirements with as much detail as possible.

*2: The Polarization state of input and/or output PMF is slow axis aligned.

2009 MARCH

Specifications subject to change without any notice.

Manufactured by :

SUMITOMO OSAKA CEMENT CO.,LTD.
 OPTOELECTRONICS BUSINESS DIVISION