

# LN MODULATORS

## 40Gbit/s DPSK LN Modulator (Zero-Chirp Model)

### Specifications

Model		T·MXH1.5DP-40PD-ADC-Y-Z
Operating wavelength		1.55μm
Insertion loss		≤6.0dB
Optical bandwidth *1		≥25GHz(typ.30GHz)
ON/OFF extinction ratio @DC port		≥20dB
Driving voltage (Vπ) at 40Gbps		≤3.5V
Polarization extinction ratio @DC *2		≥20dB
Optical return loss		≥30dB
Maximum input power *3		50mW
Electrical connector		GPPO connector
Optical fiber	Input	0.9mmΦPMF
	Output	0.9mmΦ SMF or PMF
Fiber lead length		Min0.7m (for both ports)
Operating temperature		0°C~ 70°C
Polarizer		Built-In

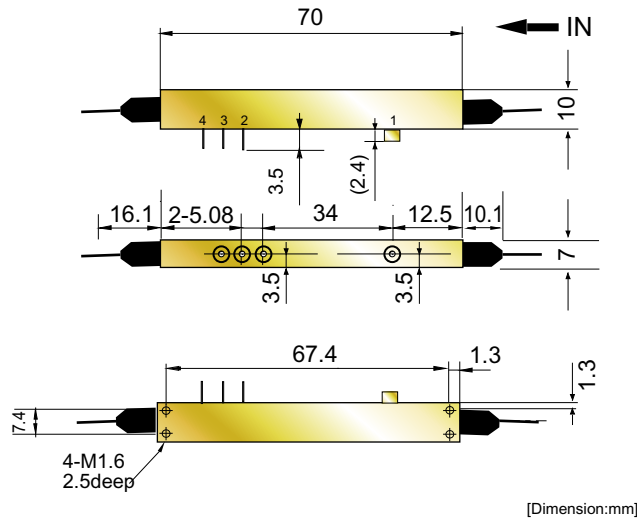
PD characteristics	
Monitor PD sensitivity	0.01~0.40mA/mW
Monitor PD extinction ratio	≥8dB

\*1: 3dB down(1GHz reference)

\*2: This specification is only available for PMF output.

\*3: Input polarization must be aligned to the slow axis of polarization maintaining fiber before the maximum input power is inserted.

### Package size(Hermetically-sealed)



[PIN No.]

- 1:RF GPPO Connector
- 2:DC PIN
- 3:PD Anode PIN
- 4:PD Cathode PIN

### Ordering Information

T·MXH1.5DP-40PD-ADC - Y - Z

Y: Output Optical fiber*1	
0.9mmΦ PMF	P
0.9mmΦ SMF	S
Other	O

Z: Connector*1,2	
FC/SPC (without key ring)	FN
FC/SPC (with key ring)	FK
SC/SPC	SC
FC/APC(Angled PC)	FA
Other	O

\*1: When Other 'O' is selected in the above ordering code, please specify your requirements with as much detail as possible.

\*2: The Polarization state of input and/or output PMF is slow axis aligned.

2009 MARCH

Specifications subject to change without any notice.

Manufactured by :