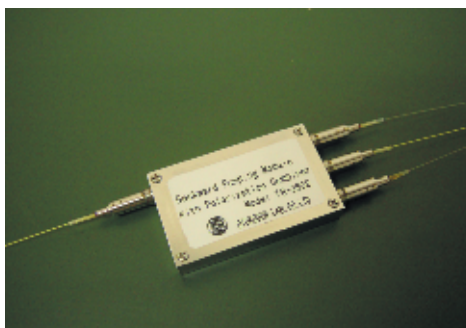


PRELIMINARY

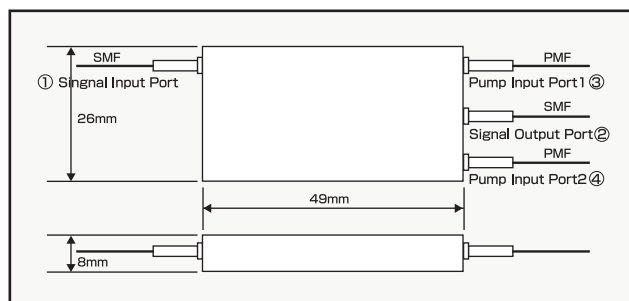
Backward Pumping Module with Polarization Beam Combiner

PASSIVE COMPONENTS

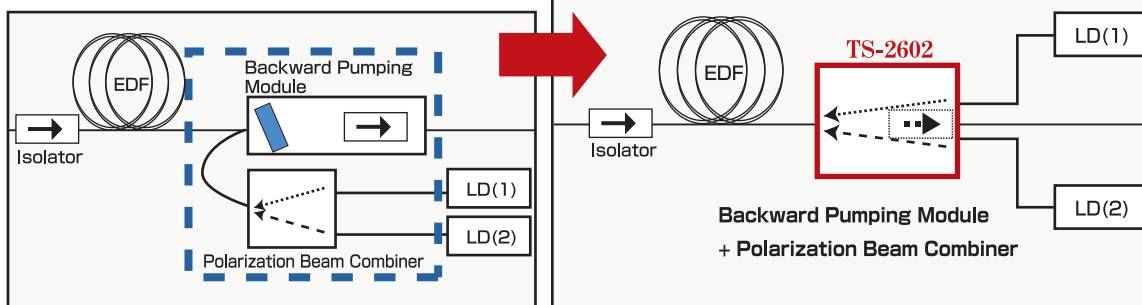
TS-2602



Dimensions



Application



Features

- Easy to be assembled
- Wide Band(100nm) available
- Backward Pumping Module and Polarization Beam Combiner in one package

Specifications

Preliminary

	Port	TS-2602	
Signal Wavelength	1→2	1520~1570nm	
Pump Wavelength	3→1, 4→1	1470~1490nm	
Insertion Loss	1→2	≤0.7dB	1520~1570nm
	3→1, 4→1	≤0.8dB	1470~1490nm
PDL	1→2	≤0.1dB	1520~1570nm
Isolation	2→1	≥50dB	@1550nm
	1→3, 1→4	≥50dB	@1480nm
Return Loss	1, 2, 3, 4	≥50dB	@1480nm,@1550nm

Distributed by  SUMITOMO OSAKA CEMENT CO., LTD.
 Manufactured by OYOKODEN LAB CO., LTD