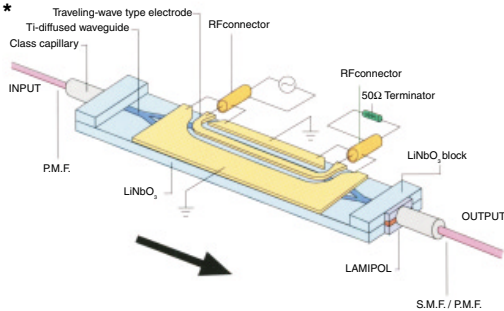


40Gb/s LiNbO3 Intensity Modulator

T.MZ1.5-40 * CONFIGURATION



Parameter

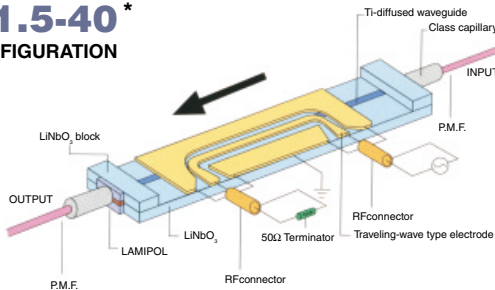
Specification

Operating Wavelength	1.55um (1.3um version also available)
Insertion Loss	≤5dB
Drive Voltage $V\pi$	≤5.5Vp-p@1kHz
Optical Bandwidth	≤18GHz
Electrode Bandwidth	20GHz→≤10dB 40GHz→≤20dB Loss dip ≤3dB (~40GHz)

* R&D use only. Please contact us for details.

40Gb/s LiNbO3 Phase Modulator

T.PM1.5-40 * CONFIGURATION



Parameter

Specification

Operating Wavelength	1.55um (1.3um version also available)
Insertion Loss	≤5dB
Drive Voltage $V\pi$	≤7.0Vp-p @ 100kHz
Optical Bandwidth	≤18GHz
Electrode Bandwidth	20GHz→≤10dB 40GHz→≤20dB Loss dip ≤3dB (~40GHz)

* R&D use only. Please contact us for details.



SUMITOMO OSAKA CEMENT CO., LTD.
Optoelectronics Business Division

1, Kanda Mitoshiro-cho, Chiyoda-ku, Tokyo
10 -8677 Japan
Tel : +81-3-3296-9854 Fax : +81-3-3295-5953
URL: <http://www.socnb.com>
E-mail: opto_sales@socnb.com



SOCCO

SOCC Optoelectronics (USA), inc.
910 Sylvan Ave., Suite #210
Englewood Cliffs, NJ 07632
Tel: +1-201-227-0020 Fax: +1-201-227-0021
E-mail: sales@soccopto.com